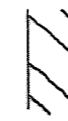
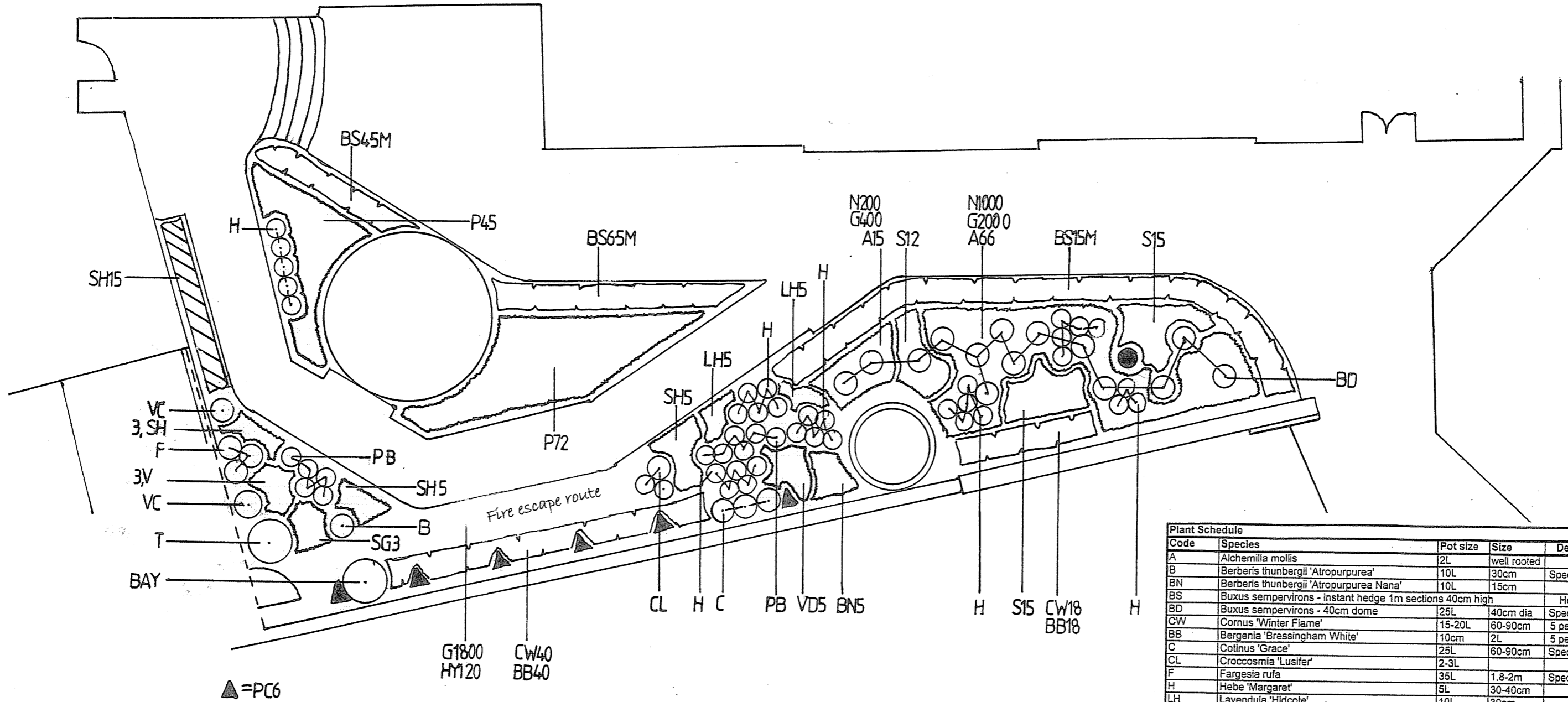


National Maritime Museum - Meridian Garden Planting Plan

On Completion supply and spread 75 mm depth quality bark mulch.



Free standing planter detail to be confirmed



Code	Species	Pot size	Size	Density	Quantity
A	Alchemilla mollis	2L	well rooted	9	81
B	Berberis thunbergii 'Atropurpurea'	10L	30cm	Specimen	5
BN	Berberis thunbergii 'Atropurpurea Nana'	10L	15cm	5	2
BS	Buxus sempervirens - instant hedge 1m sections 40cm high			Hedge	26 Metres
BD	Buxus sempervirens - 40cm dome	25L	40cm dia	Specimen	14
CW	Cornus 'Winter Flame'	15-20L	60-90cm	5 per LinM	58
BB	Bergenia 'Bressingham White'	10cm	2L	5 per LinM	58
C	Cotinus 'Grace'	25L	60-90cm	Specimen	3
CL	Crocosmia 'Lusifer'	2-3L		5	3
F	Fargesia rufa	35L	1.8-2m	Specimen	3
H	Hebe 'Margaret'	5L	30-40cm	5	28
LH	Lavendula 'Hidcote'	10L	30cm	5	10
P	Persicaria amplexicaulis 'Inverleith'	2L	well rooted	9	117
PB	Phormium 'Bronze Baby'	20L	60-90cm	Specimen	11
PC	Pyracantha coccinea 'Lalande'	10L	90-120cm	Climbers	6
S	Salvia officinalis 'Berggarten'	2L	well rooted	7	42
SH	Sarcococca hookeriana var. humilis	10L	20-30cm	5	28
SG	Stipa gigantea	20L	well rooted	Specimen	3
V	Viburnum Tinus Eve Price	10L	60-90cm	Specimen	3
VD	Viburnum davidii	10L	60-90cm	Specimen	5
VC	Viburnum plicatum 'Cascade'	10L	60-90cm	Specimen	2

Plant Schedule					
Bulbs					
N	Narcissi February Gold	bulb	best grade	100	1200
G	Gallanthus elwessii	bulb	best grade	200	4200
HY	Hymenocallis festalis	bulb	best grade	12	120
Existing to be lifted from area of proposed development at the main museum					
Bay	Clipped bay				
T	Taxus fastigiata aurea				

Client:	National Maritime Museum	PBA Consulting Bryn Gardens, Liss, Hants GU33 7HB 01730 893460 Revision: NA Date: 25/11/08	
Project:	Meridian Garden (planting plan)		
Drawing No:	JN354/NMM/2008/7		
Scale:	1:100		
Drawn by:	JB		

Specie Code Quantity

HYS